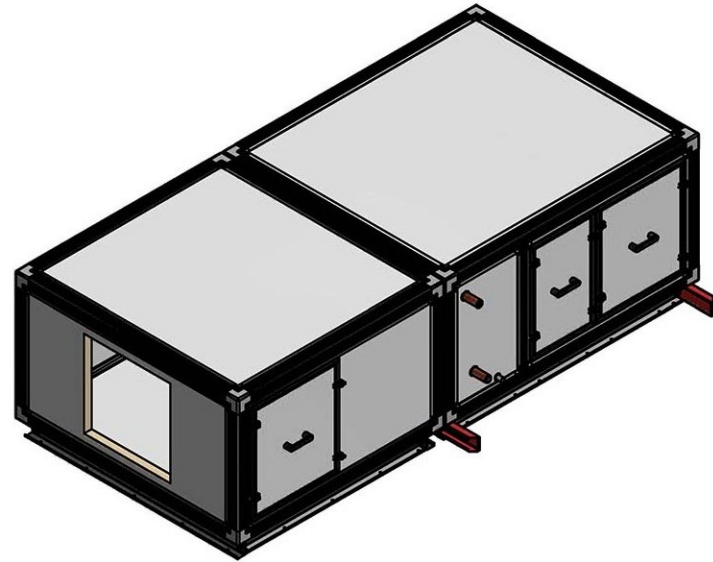
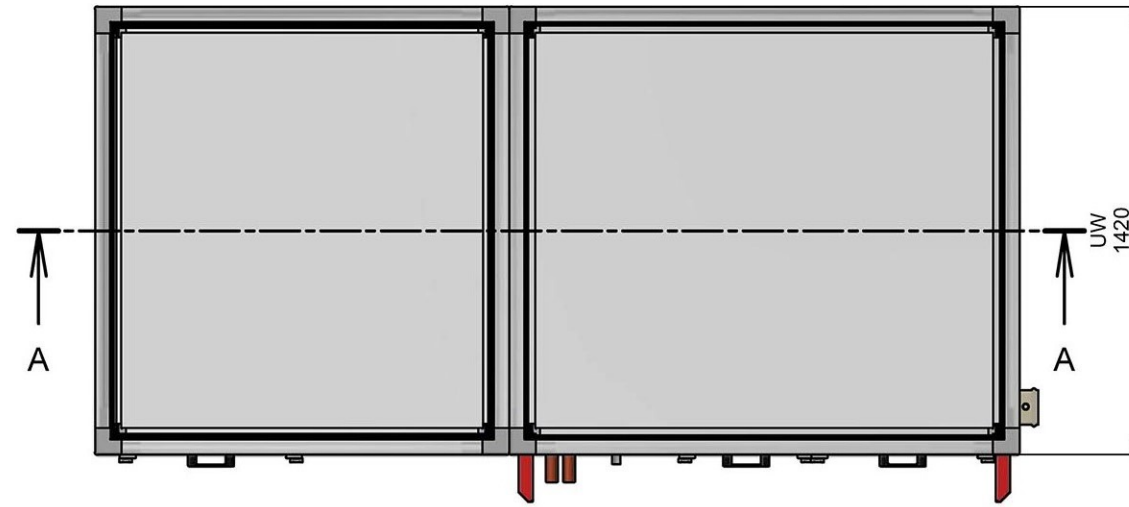
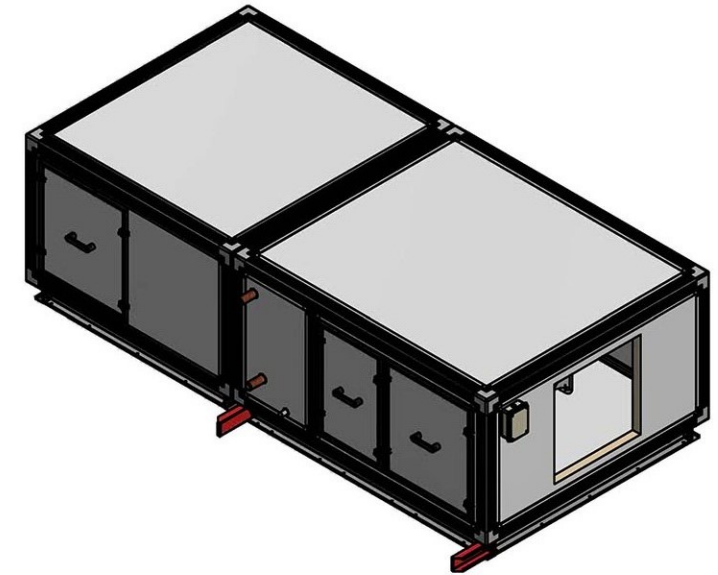


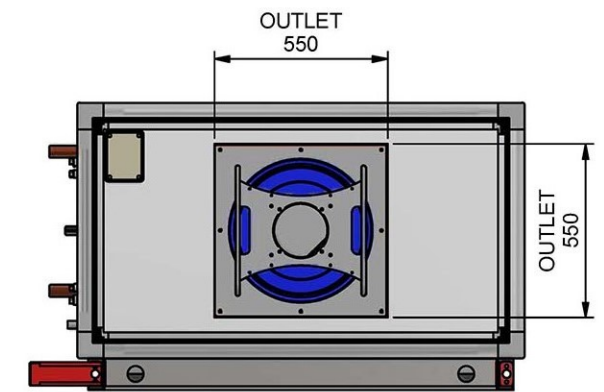
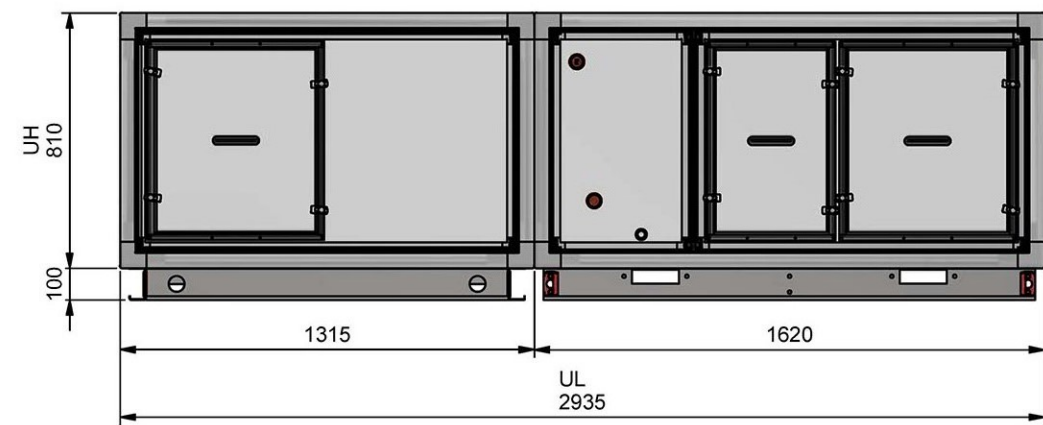
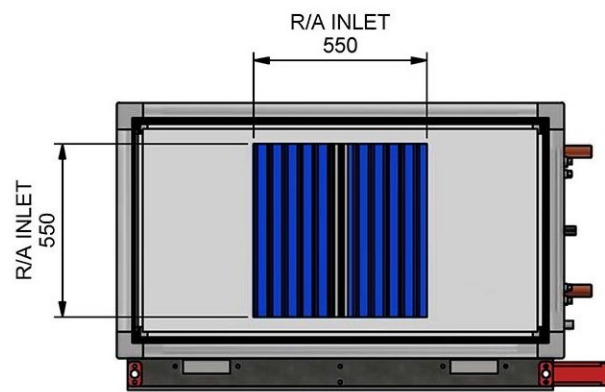
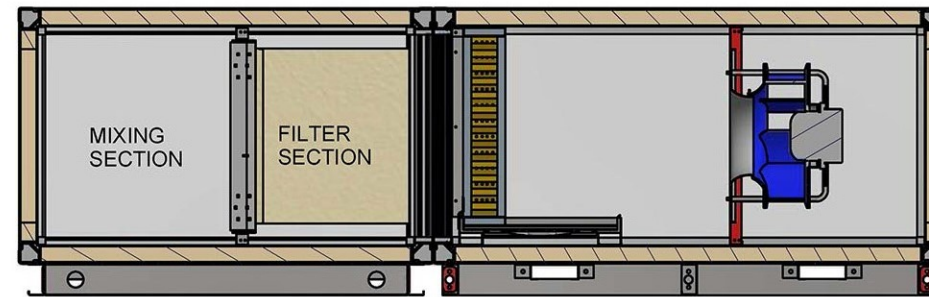
VIEW ISO 1 ( 1 : 34 )




VIEW ISO 2 ( 1 : 34 )



A-A ( 1 : 24 )



MAX R/A INLET (HORIZONTAL) : 570X1180MM  
 MAX O/A INLET (VERTICAL) : 480X1180MM  
 MAX S/A (HORIZONTAL) : 570X910MM  
 MAX S/A (VERTICAL) : 480X1195MM

UNLESS OTHERWISE SPECIFIED  
 DIMENSIONS ARE IN MILLIMETERS  
 BREAK AND DEBUR ALL SHARP EDGES  
  
 3rd ANGLE PROJECTION  
 DO NOT SCALE DRAWING

Rev	By	Date	Description
/00	Toh	22/03/2017	Initial Released

Fantech Pty Ltd. © A.C.N. 005 434 024 45 NESTOR DRIVE, MEADOWBROOK, QUEENSLAND, AUSTRALIA, 4131 TELEPHONE: (07) 32 999 888 FACSIMILE: (07) 32 999 800					
DRAWN: Toh	DATE: 22/3/2017	General Layout ME2B-H204/G3-FPL, GR40(115514)x1			
CHKED: Sean	DATE: --				
APPRD: JT	DATE: --				
DRAWING NO: 868-8030-1204	REV: /00	SCALE: 1 : 24	SIZE: A3		